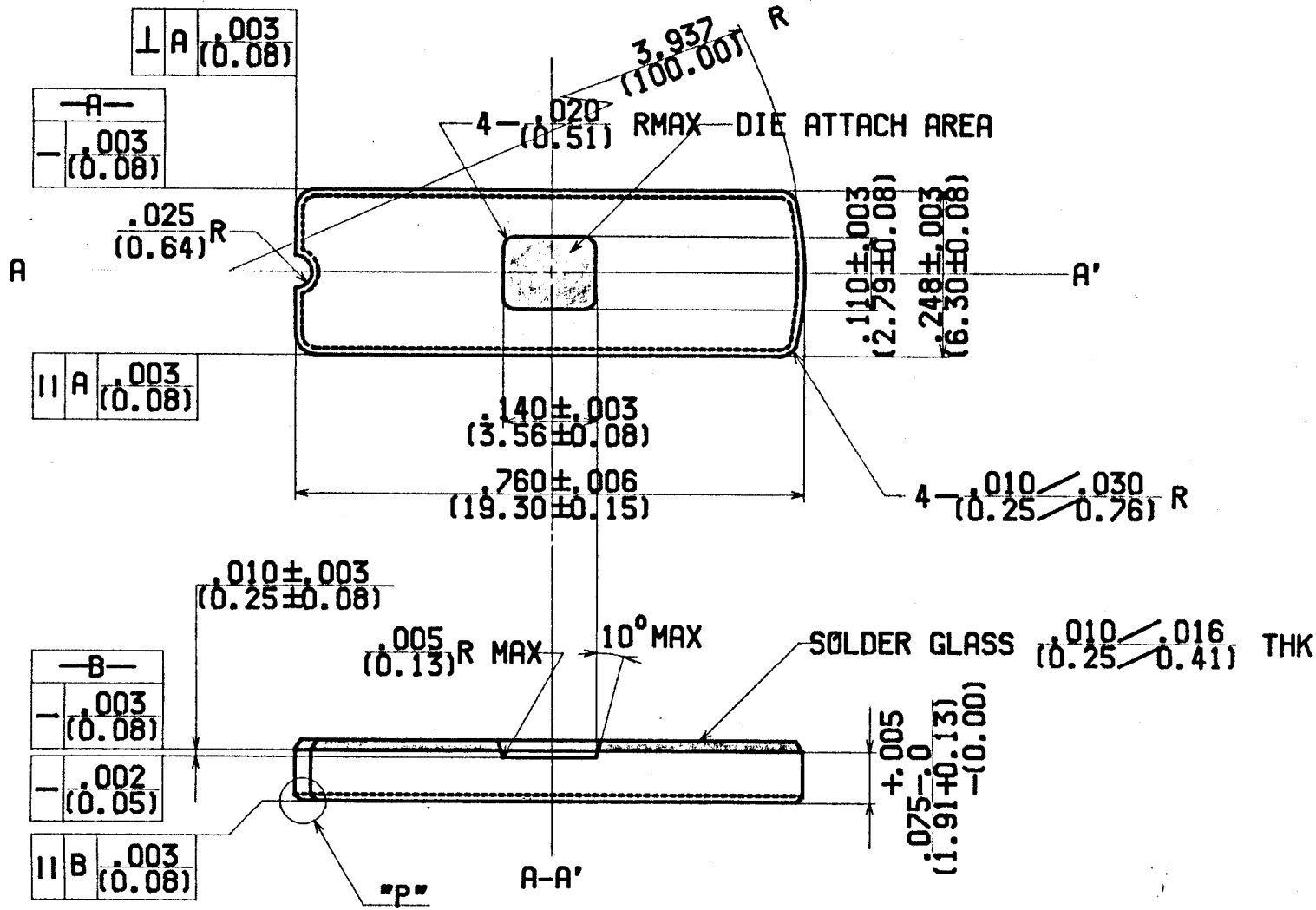


VIEW "P"



INCH  
(mm)

MODIFICATIONS	NAME		TOLERANCES: UNLESS OTHERWISE SPECIFIED . . . . . ± . . . . . ±	DRAWN	CHECKED
	14/16SSI C/F BASE 248 CAV10(110X140)			<i>[Signature]</i>	<i>[Signature]</i>
	SCALE	MATERIAL	APPROVED	DATE	
	4 : 1	Al <sub>2</sub> O <sub>3</sub> 90%MIN (BLACK)	<i>[Signature]</i>	DEC.08'86	
KYOCERA CORPORATION KYOTO JAPAN			DWG. No	BBF-01454-1	