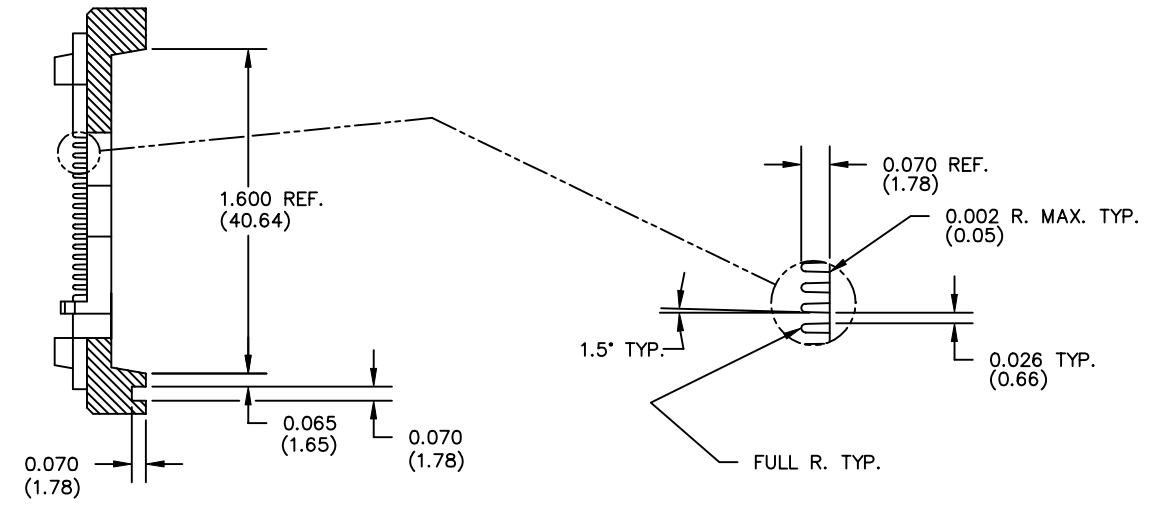
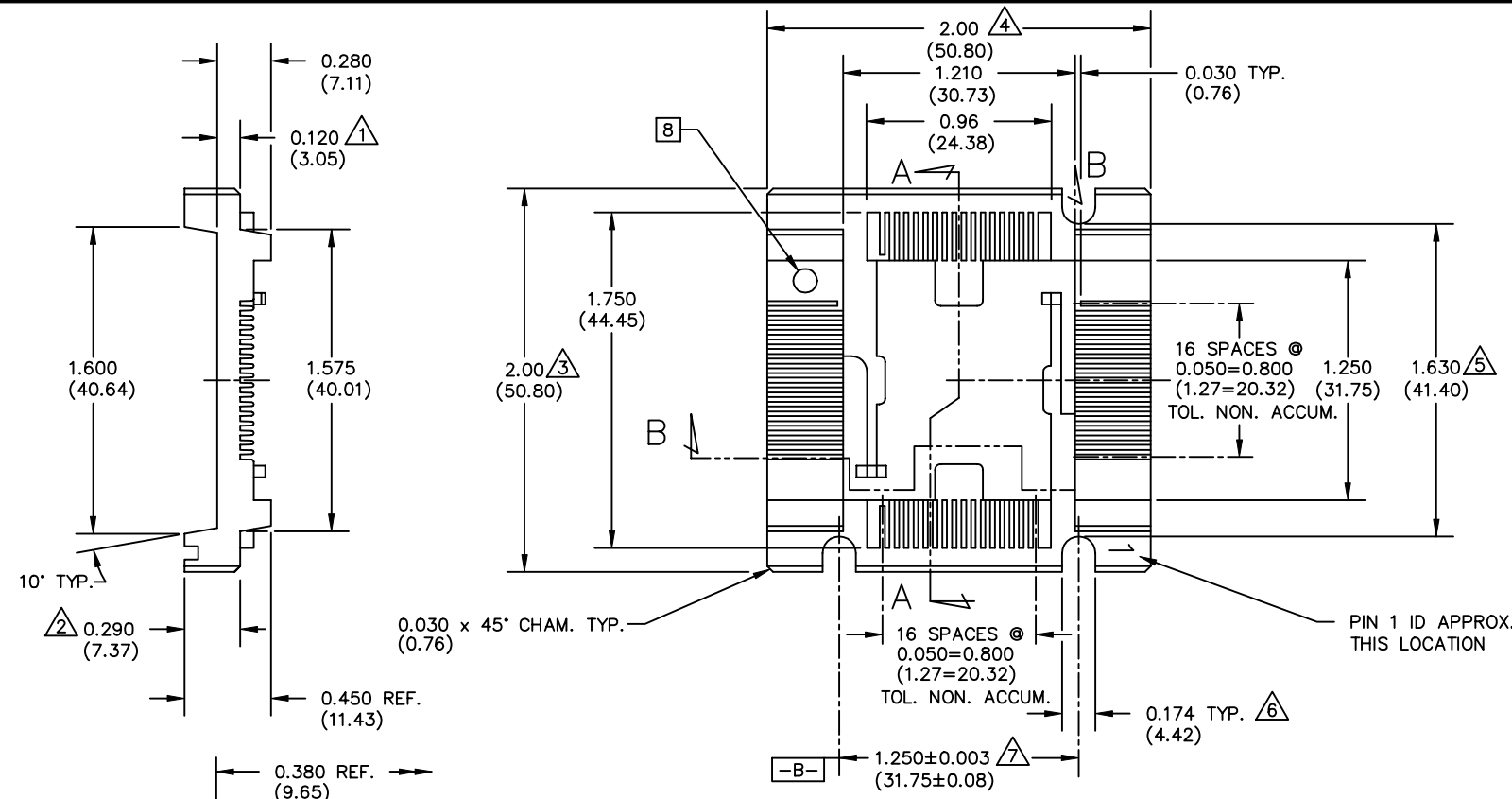
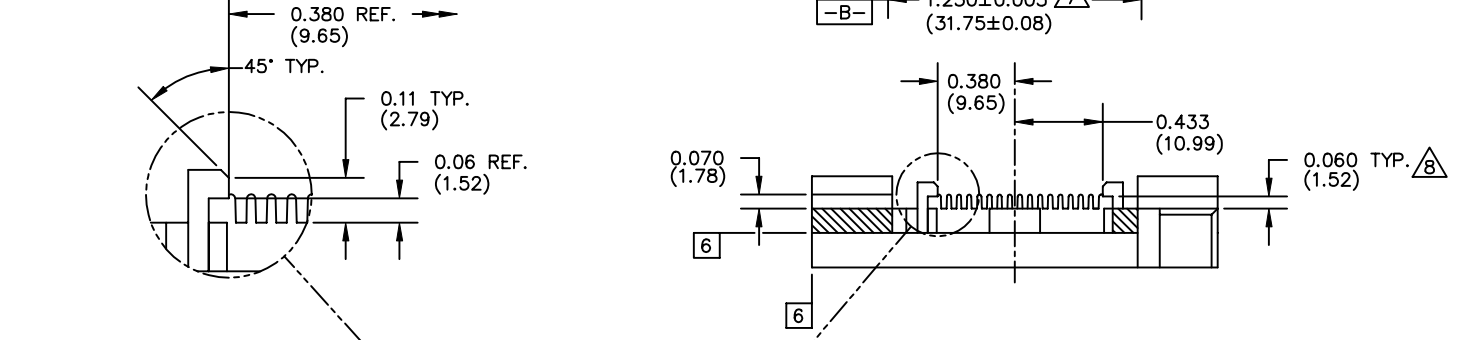


REV.	DATE	BY	REVISION						
G	3-28-86	KM	INC. ECN# 88-0064 ADD .070 ARM STOP .08 R. & .04 R.						
H	10-9-89	KM	INC. ECN# 89-0359 REVISED & REDRAWN						
H1	11-22-89	KF	INC. ECN# 89-0405 REVISED						
REV.	ECN #	REV.	ECN #	REV.	ECN #	REV.	ECN #	REV.	ECN #



SECTION A-A



SECTION B-B

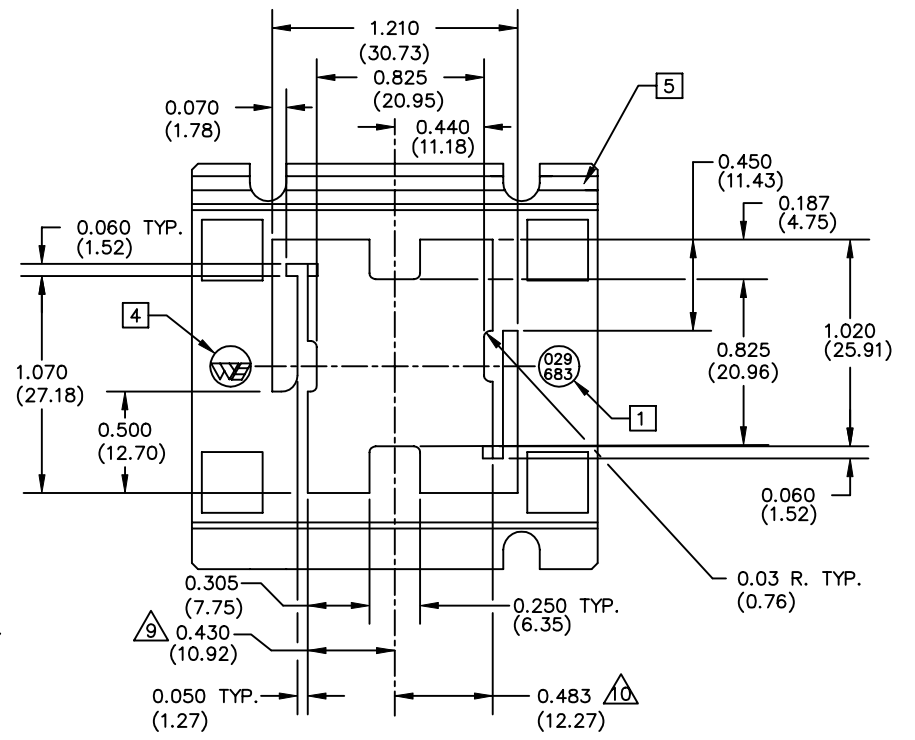


TABLE 1
029-683-0XX

	MATERIAL [3]								
	1	2	3	4	5	6	7	8	9
COLOR	PSO	PBT	PPS	ESD	HI TEMP				
0 NAT.	0211								
1 PINK					0285				
2 BLUE									
3 GREEN									
4 BLACK				0282					

CUSTOMER DRAWING

- 8. REV. LEVEL ON PIN THIS AREA.
 - 7. (XX.XX) DENOTES METRIC DIM'S IN MILLIMETERS.
 - 6. .002(0.05) MAX. FLASH PERMITTED THESE SURFACES. (TYP. BOTH ENDS)
 - 5. ALL CAVITIES OF MULTI CAVITY TOOLING TO BE IDENTIFIED LOCATE NUMBERS THIS AREA TO FIT. OPTIONAL.
 - 4. WELLS LOGO (WE) .10(2.54) HIGH, RAISED .003(0.08) MAX. LOCATE APPROX. AS SHOWN (SET ON .20(5.08) DIA. PIN OPTIONAL.) EITHER END.
 - 3. MATL'S SHOWN WITHOUT PART NUMBERS ARE FOR REF. ONLY AND REQUIRES ENGINEERING APPROVAL PRIOR TO USE.
 - 2. PARTS TO BE MOLDED IN ACCORDANCE TO WELLS SPECIFICATION #QCP-12.
 - 1. PART NUMBER TO BE .05(1.27) HIGH, RAISED .001/.003 (0.03/0.08) APPROX. SET ON .20(5.08) DIA. PIN RECESSED .005(0.13) DP. MAX. LOCATE APPROX. AS SHOWN. EITHER END.
- NOTES: UNLESS OTHERWISE SPECIFIED

LEGEND	ITEM	PART NUMBER	QTY	DESCRIPTION
◇	CRITICAL	SEE TABLE 1		
△	MAJOR			
□	MINOR			
<p>THIS DOCUMENT CONTAINS PROPRIETARY DESIGNS, SPECIFICATIONS, DATA, INFORMATION AND TECHNICAL MATERIAL THAT ARE THE SOLE PROPERTY OF WELLS ELECTRONIC, INC. THIS INFORMATION IS TO BE HELD AND TREATED BY ITS RECIPIENT ON A CONFIDENTIAL BASIS, AND IS NOT TO BE SHOWN OR DISCLOSED TO THIRD PARTIES WITHOUT THE WRITTEN CONSENT OF WELLS ELECTRONIC, INC. THIS DATA DOES NOT CONVEY MANUFACTURING RIGHTS TO ANY ITEM SHOWN.</p>				
<p>NUMBERS IN CRITICAL & MAJOR DIMENSIONS ARE RANDOMLY PLACED AND HAVE NO SPECIFIC ORDER IN THE WAY THAT THEY HAVE BEEN NUMBERED.</p>		<p>TOLERANCES .XX ± .01 (±0.25) .XXX ± .005 (±0.13) .XXXX ± .001 (±0.025) ANGLE ± 1°</p>		<p>DO NOT SCALE</p>
<p>DATE: 9-29-89 DRAWN: KEN M. CHECKED: HOHULIN DATE: 10-4-89 PROJ. ENG.: RALSTIN DATE: 10-10-89 CHIEF ENG.: T.L. DATE: 10-12-89</p>		<p>DATE: 9-29-89 DRAWN: KEN M. CHECKED: HOHULIN DATE: 10-4-89 PROJ. ENG.: RALSTIN DATE: 10-10-89 CHIEF ENG.: T.L. DATE: 10-12-89</p>		<p>WELLS ELECTRONICS SOUTH BEND, INDIANA PART NAME: 64 LEAD QUADPACK ONE-PIECE CARRIER PART NO. 029-683-0XX SCALE: 2X SHEET</p>
<p>DATE: 029-683</p>		<p>DATE: 029-683</p>		<p>REV. H1 SUB-ON ON SERVER CARRIER</p>