

REV.	DATE	BY	ECN No.	REV.	DATE	BY	ECN No.	REV.	DATE	BY	ECN No.
A	5-08-92	K.M.	DR&REL	B	6-19-92	C.R.	92-0339	B1	10-11-93	MR	93-0462
B2	10-6-95	KW	95-0591								

Property of  
Sensata Technologies

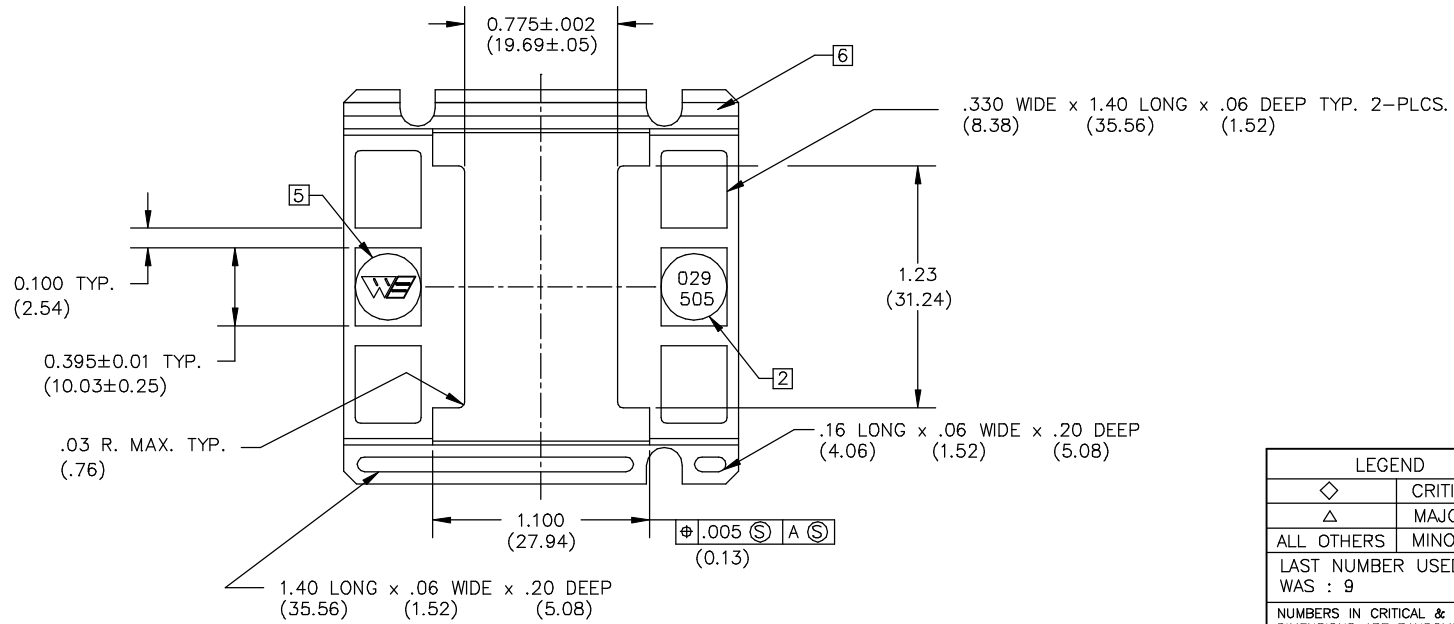
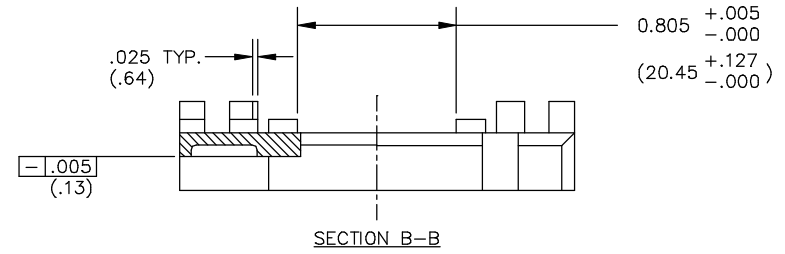
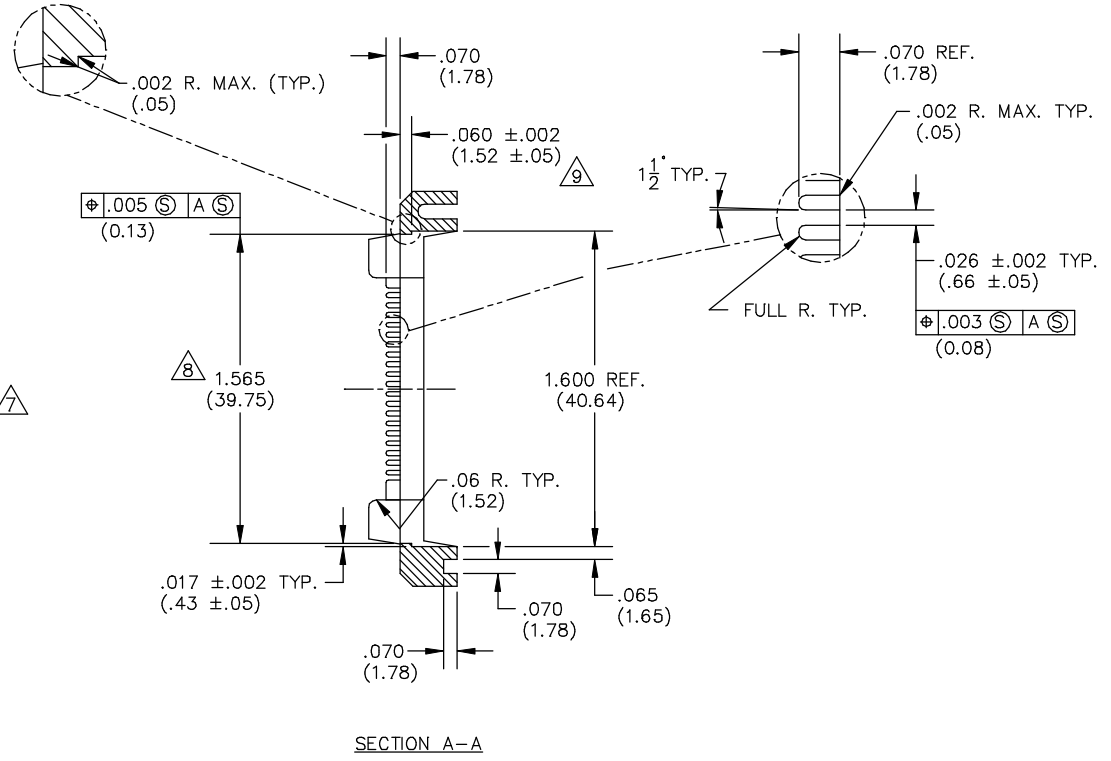
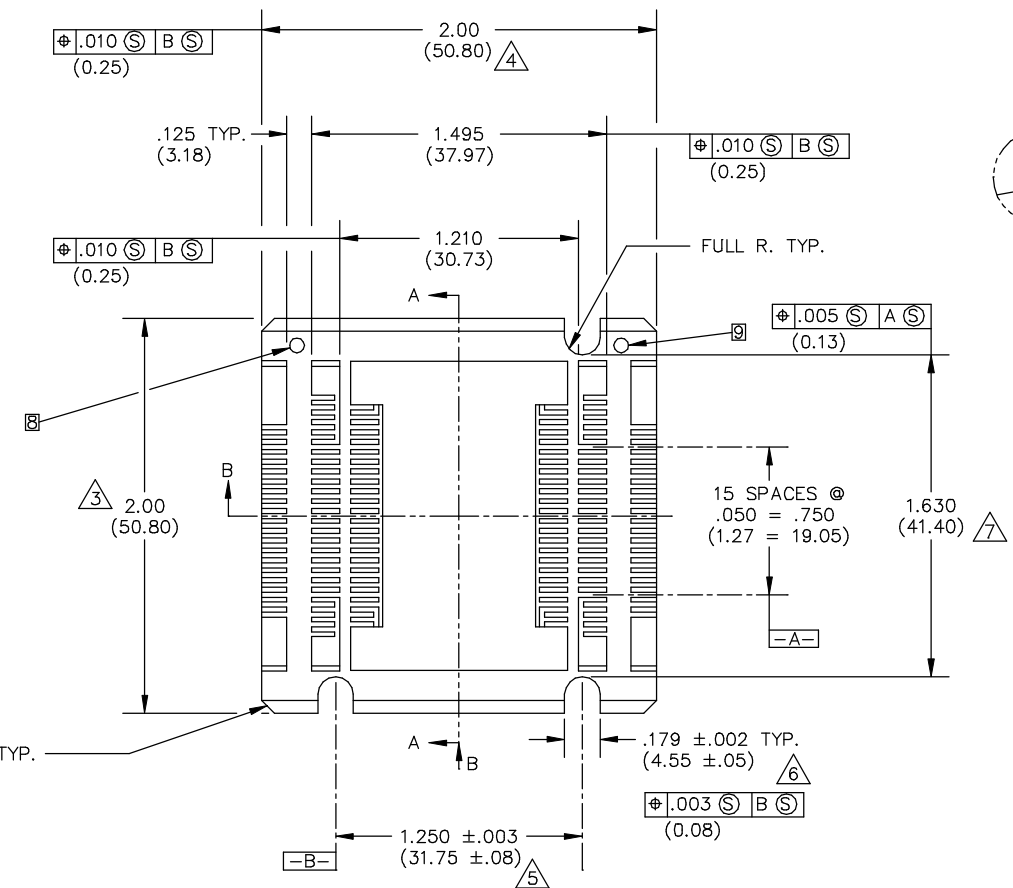
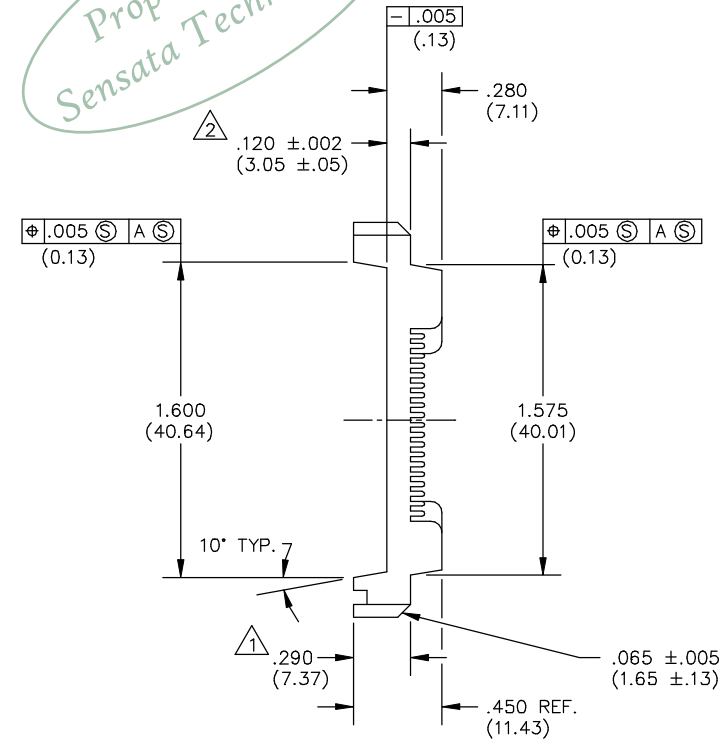


TABLE 1  
029-505-0XX

		MATERIAL [4]								
		1	2	3	4	5	6	7	8	9
COLOR		PSO	PBT	PPS	HI TEMP ESD	ESD	HI TEMP			
0	NAT.	0211								
1	PINK						0285			
2	BLUE									
3	GREEN									
4	BLACK				0297	0282				
5	GREY									

- ④ #1 LOCATE APPROX. THIS AREA.
- ⑤ REV. LEVEL APPROX. THIS AREA.
- 7 (X.XX) DENOTES METRIC DIMS. IN MILLIMETERS.
- ⑥ ALL CAVITIES TO BE IDENTIFIED LOCATE NUMBERS THIS AREA .002(.05) HIGH.
- ⑤ WELLS LOGO .10(2.54) HIGH RAISED .003(.08) MAX. LOCATE APPROX. AS SHOWN SET ON .20(5.08) DIA. PIN OPTIONAL.
- ④ MATL'S SHOWN WITHOUT PART NUMBERS ARE FOR REF ONLY AND REQUIRES ENGINEERING APPROVAL PRIOR TO USE.
- 3 PARTS TO BE MOLDED IN ACCORDANCE TO WELLS SPECIFICATION #QCP-12.
- ② PART NUMBER TO BE .05(1.27) HIGH RAISED .001/.003(.03/.08) APPROX. SET ON .20(5.08) DIA. PIN RECESSED .005(.13) DP. MAX LOCATE APPROX. AS SHOWN.
- 1 USE RETENTION CLIP 039-207-XXX (FOR REF. ONLY)

LEGEND	ITEM	PART NUMBER	QTY	DESCRIPTION
◇	CRITICAL			WELLS ELECTRONICS SOUTH BEND, INDIANA
△	MAJOR			
	ALL OTHERS	MINOR		
LAST NUMBER USED WAS : 9				PART NAME 32 LEAD FLATPACK CARRIER
NUMBERS IN CRITICAL & MAJOR DIMENSIONS ARE RANDOMLY PLACED AND HAVE NO SPECIFIC ORDER IN THE WAY THAT THEY HAVE BEEN NUMBERED.				PART NO. <b>029-505-0XX</b>
TOLERANCES .XX ±.01(±0.25) .XXX ±.003(±0.13) .XXXX ±.0005(±0.013) ANGLE ±1°				REV. B2
SCALE 2X				SHEET
CAD DWG NO. 029-505				SUB-DIR ON SERVER CARRIER

PART NO.  
029-505-0XX