

Property of
Sensata Technologies

REV.	DATE	BY	REVISION
G1	4-6-90	KM	INC. ECN. #90-0155 REVISED & REDRAWN ON CAD
G2	1-14-97	JV	INC. ECN. #97-0015 REVISED & REPLOTED.

REV.	ECN #	REV.	ECN #	REV.	ECN #	REV.	ECN #	REV.	ECN #

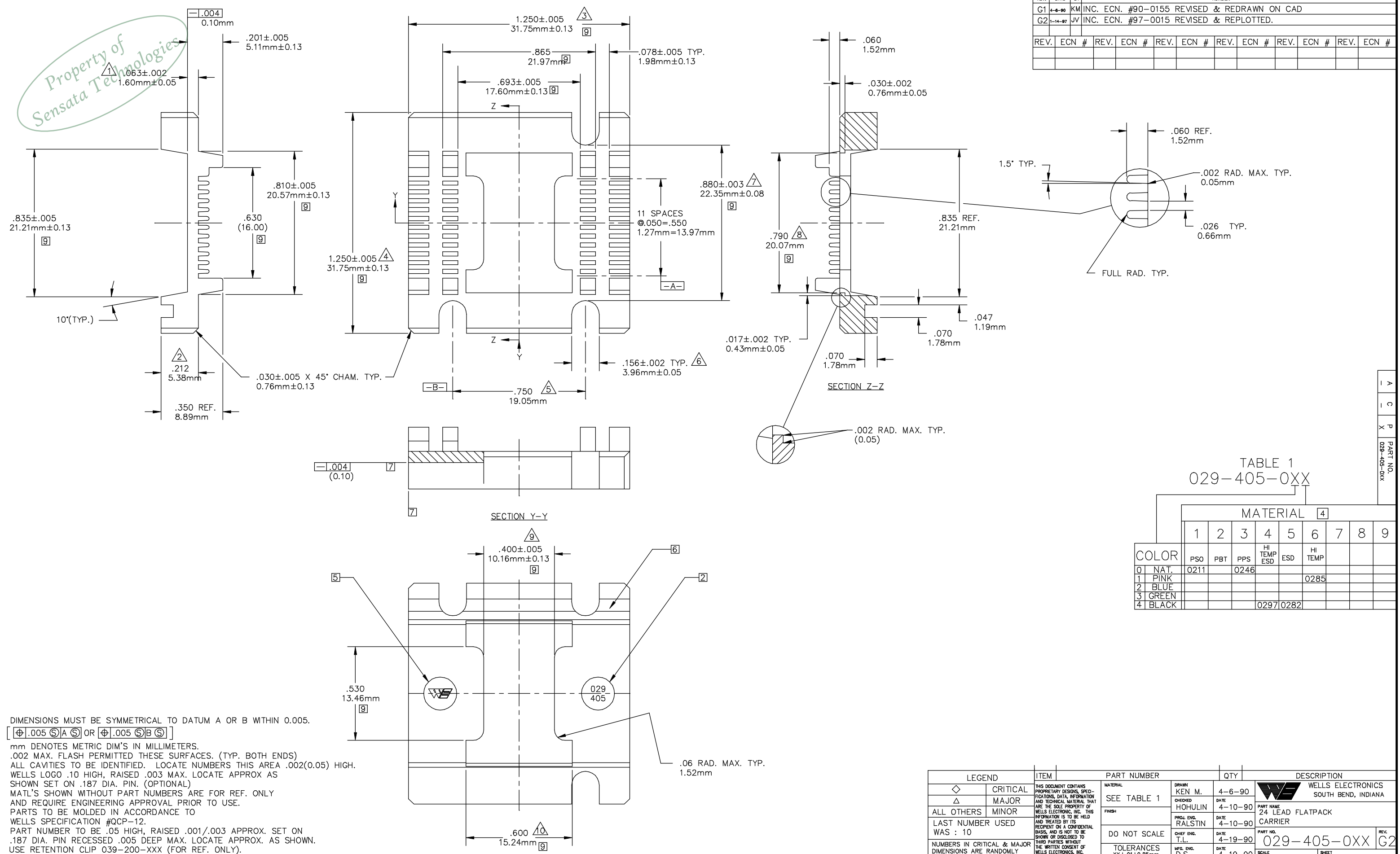


TABLE 1
029-405-0XX

		MATERIAL [4]								
		1	2	3	4	5	6	7	8	9
COLOR		PSO	PBT	PPS	HI TEMP ESD	ESD	HI TEMP			
0	NAT.	0211		0246			0285			
1	PINK									
2	BLUE									
3	GREEN									
4	BLACK				0297	0282				

⑨ DIMENSIONS MUST BE SYMMETRICAL TO DATUM A OR B WITHIN 0.005.
 [\varnothing .005 Ⓜ A Ⓜ] OR [\varnothing .005 Ⓜ B Ⓜ]

8 mm DENOTES METRIC DIM'S IN MILLIMETERS.
 [7] .002 MAX. FLASH PERMITTED THESE SURFACES. (TYP. BOTH ENDS)
 [6] ALL CAVITIES TO BE IDENTIFIED. LOCATE NUMBERS THIS AREA .002(0.05) HIGH.
 [5] WELLS LOGO .10 HIGH, RAISED .003 MAX. LOCATE APPROX AS SHOWN SET ON .187 DIA. PIN. (OPTIONAL)
 [4] MATL'S SHOWN WITHOUT PART NUMBERS ARE FOR REF. ONLY AND REQUIRE ENGINEERING APPROVAL PRIOR TO USE.
 3 PARTS TO BE MOLDED IN ACCORDANCE TO WELLS SPECIFICATION #QCP-12.
 [2] PART NUMBER TO BE .05 HIGH, RAISED .001/.003 APPROX. SET ON .187 DIA. PIN RECESSED .005 DEEP MAX. LOCATE APPROX. AS SHOWN.
 1 USE RETENTION CLIP 039-200-XXX (FOR REF. ONLY).
 NOTES: UNLESS OTHERWISE SPECIFIED

LEGEND	ITEM	PART NUMBER	QTY	DESCRIPTION
◇	CRITICAL	THIS DOCUMENT CONTAINS PROPRIETARY DESIGNS, SPECIFICATIONS, DATA, INFORMATION AND TECHNICAL MATERIAL THAT ARE THE SOLE PROPERTY OF WELLS ELECTRONIC, INC. THIS INFORMATION IS TO BE HELD AND TREATED BY ITS RECIPIENT ON A CONFIDENTIAL BASIS, AND IS NOT TO BE SHOWN OR DISCLOSED TO THIRD PARTIES WITHOUT THE WRITTEN CONSENT OF WELLS ELECTRONIC, INC. THIS DATA DOES NOT CONVEY MANUFACTURING RIGHTS TO ANY ITEM SHOWN.		
△	MAJOR	SEE TABLE 1		
	ALL OTHERS	MINOR		
		LAST NUMBER USED WAS : 10		
		NUMBERS IN CRITICAL & MAJOR DIMENSIONS ARE RANDOMLY PLACED AND HAVE NO SPECIFIC ORDER IN THE WAY THAT THEY HAVE BEEN NUMBERED.		
		TOLERANCES .XXX ± .01 ± 0.25mm .XXX ± .004 ± 0.10mm ANGLE ± 1°		
		DO NOT SCALE		
		MATERIAL		
		FINISH		
		DRAIN		
		KEN M.	4-6-90	WELLS ELECTRONICS SOUTH BEND, INDIANA
		CHECKED	DATE	
		HOHULIN	4-10-90	PART NAME
		PROL. ENG.	DATE	24 LEAD FLATPACK
		RALSTIN	4-10-90	CARRIER
		CHEF ENG.	DATE	PART NO.
		T.L.	4-19-90	029-405-0XX
		MFG. ENG.	DATE	REV.
		D.S.	4-19-90	G2
		QUALITY	DATE	SCALE
		W.W.H.	4-11-90	4X
				SHEET
				029-405
				SUB-DIR ON SERVER
				CARRIER\