

Property of
Sensata Technologies

REV.	DATE	BY	REVISION
A	3-31-93	CR	INC. ECN #93-0121 REVISED & REPLOTED.
A1	10-8-95	KW	INC. ECN #95-0597 REVISED & REPLOTED.

REV.	ECN #	REV.	ECN #	REV.	ECN #	REV.	ECN #	REV.	ECN #

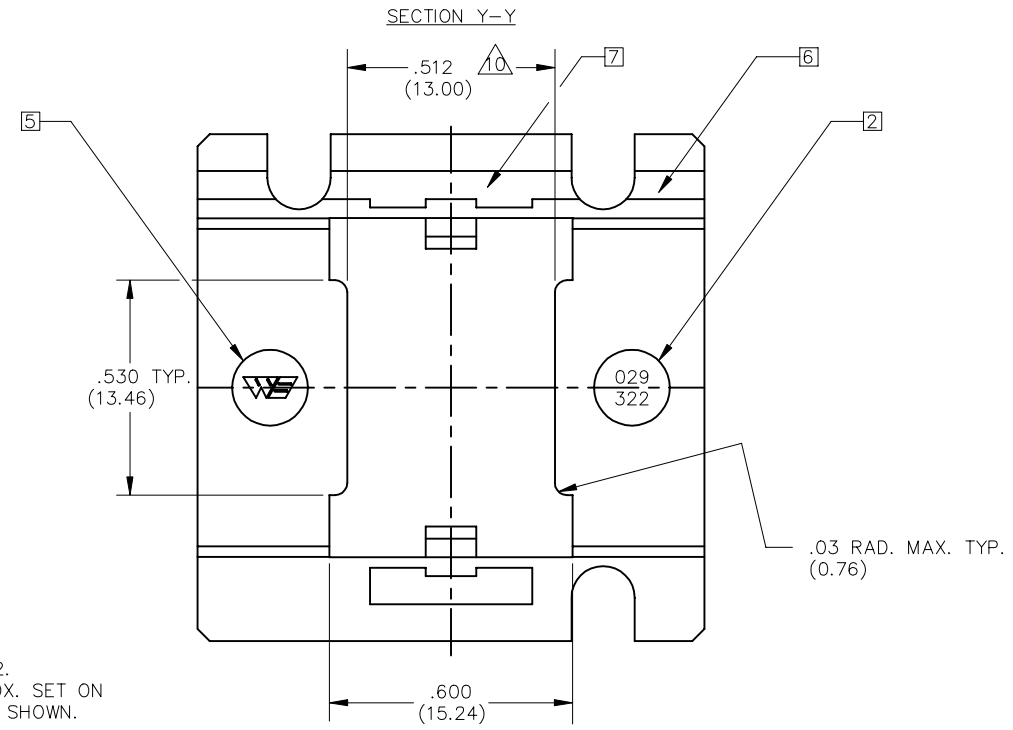
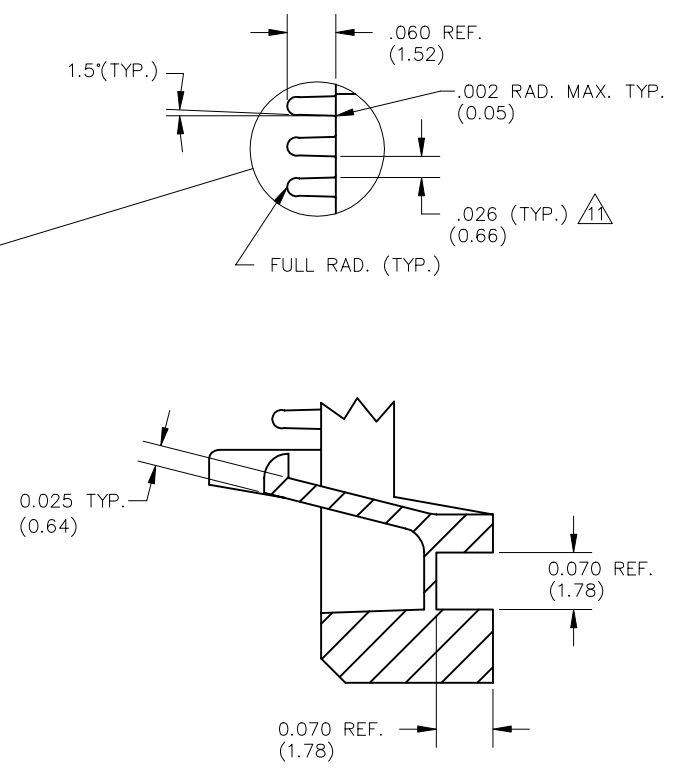
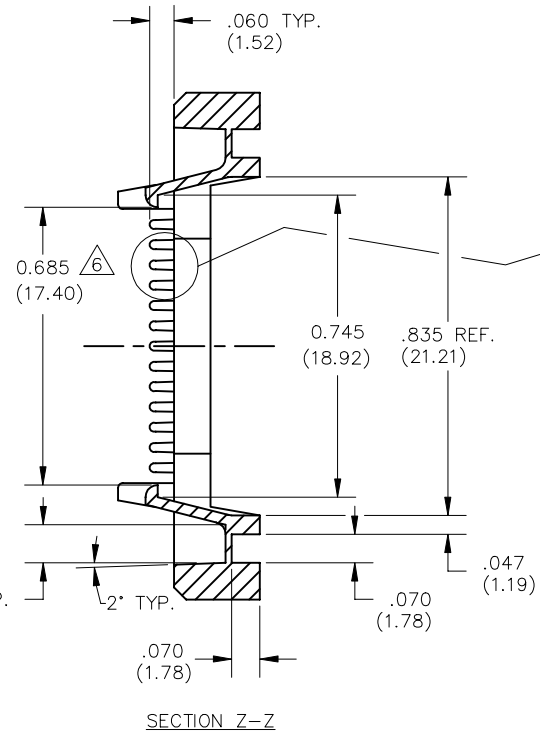
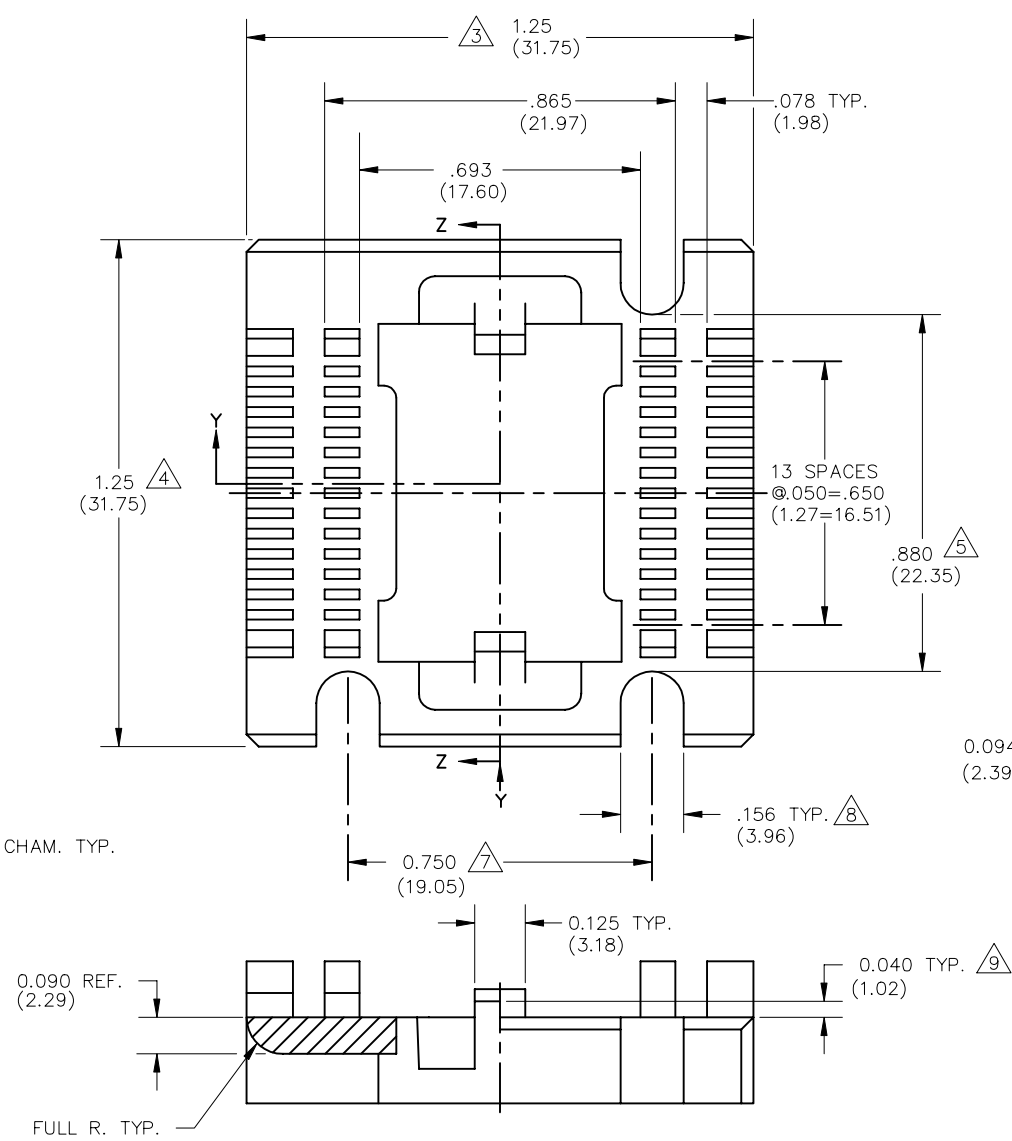
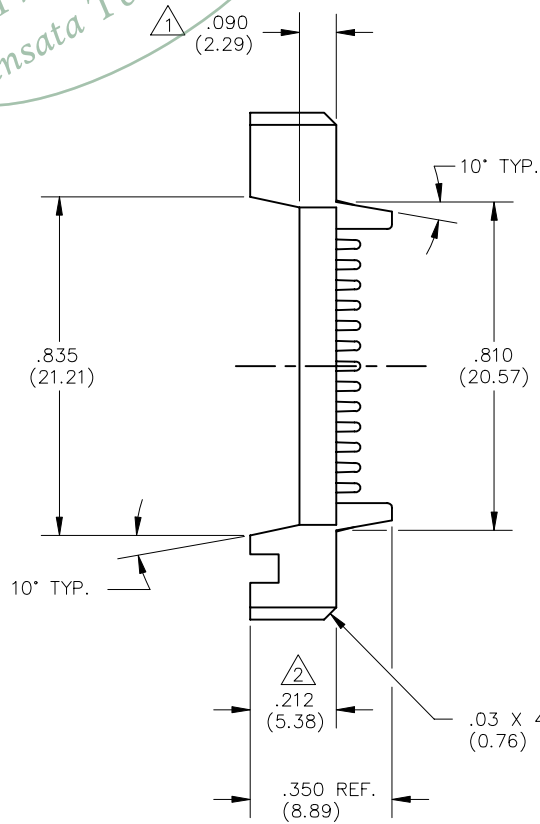


TABLE 1
029-322-0XX

		MATERIAL [4]								
		1	2	3	4	5	6	7	8	9
COLOR		PSO	PBT	PPS	HI TEMP ESD	ESD	HI TEMP			
0	NAT.									
1	PINK						0285			
2	BLUE									
3	GREEN									
4	BLACK					0297	0282	0297		

CUSTOMER DRAWING

- 7 PAT. NUMBER 4,435,724 ENGRAVED THIS AREA .002(0.05) DEEP.
- 6 MULTI-CAVITY MOLDS MUST HAVE ALL CAVITIES IDENTIFIED. LOCATE NUMBERS THIS AREA. SIZE TO FIT.
- 5 WELLS LOGO .10(2.54) HIGH, RAISED .003(0.08) MAX. LOCATE APPROX AS SHOWN SET ON .187(4.75) DIA. PIN. (OPTIONAL)
- 4 MATL'S SHOWN WITHOUT PART NUMBERS ARE FOR REF. ONLY AND REQUIRE ENGINEERING APPROVAL PRIOR TO USE.
- 3 PARTS TO BE MOLDED IN ACCORDANCE TO WELLS SPECIFICATION #QCP-12.
- 2 PART NUMBER TO BE .05(1.27) HIGH, RAISED .001/.003(0.03/0.08) APPROX. SET ON .187(4.75) DIA. PIN RECESSED .005(0.13) DEEP MAX. LOCATE APPROX. AS SHOWN.
- 1 (XX.XX) DENOTES METRIC DIM'S IN MILLIMETERS

NOTES: UNLESS OTHERWISE SPECIFIED

LEGEND	ITEM	PART NUMBER	QTY	DESCRIPTION
◇	CRITICAL	SEE TABLE 1		WELLS ELECTRONICS SOUTH BEND, INDIANA
△	MAJOR			
ALL OTHERS	MINOR			28 LEAD ONE-PIECE CARRIER
LAST NUMBER USED WAS : 11		DO NOT SCALE		029-322-0XX A1
NUMBERS IN CRITICAL & MAJOR DIMENSIONS ARE RANDOMLY PLACED AND HAVE NO SPECIFIC ORDER IN THE WAY THAT THEY HAVE BEEN NUMBERED.		TOLERANCES .XX ± .01 (±0.25) .XXX ± .005 (±0.13) .XXXX ± .001 (±0.025) ANGLE ± 1°		SCALE 4X SHEET *
				CAD DRG NO. 029-322 SUB-DR ON SERVER CARRIERC