

REV	DATE	BY	ECN #	REV	DATE	BY	ECN #	REV	DATE	BY	ECN #			
A	C	P	REV	DATE	BY	ECN #	REV	DATE	BY	ECN #	REV	DATE	BY	ECN #
-	X	-	A1	11-25-90	GS	90-0557	A2	8-14-92	CR	92-0437	A3	11-24-98	CP	98-1348

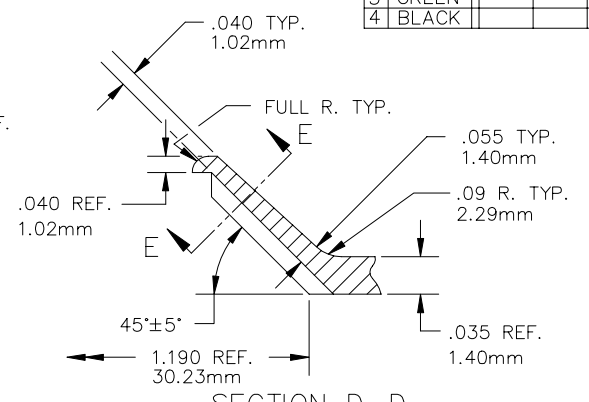
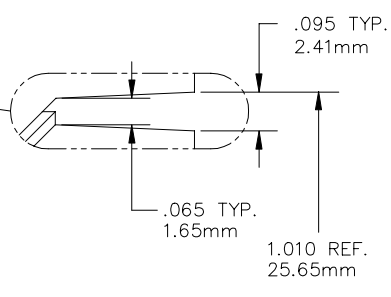
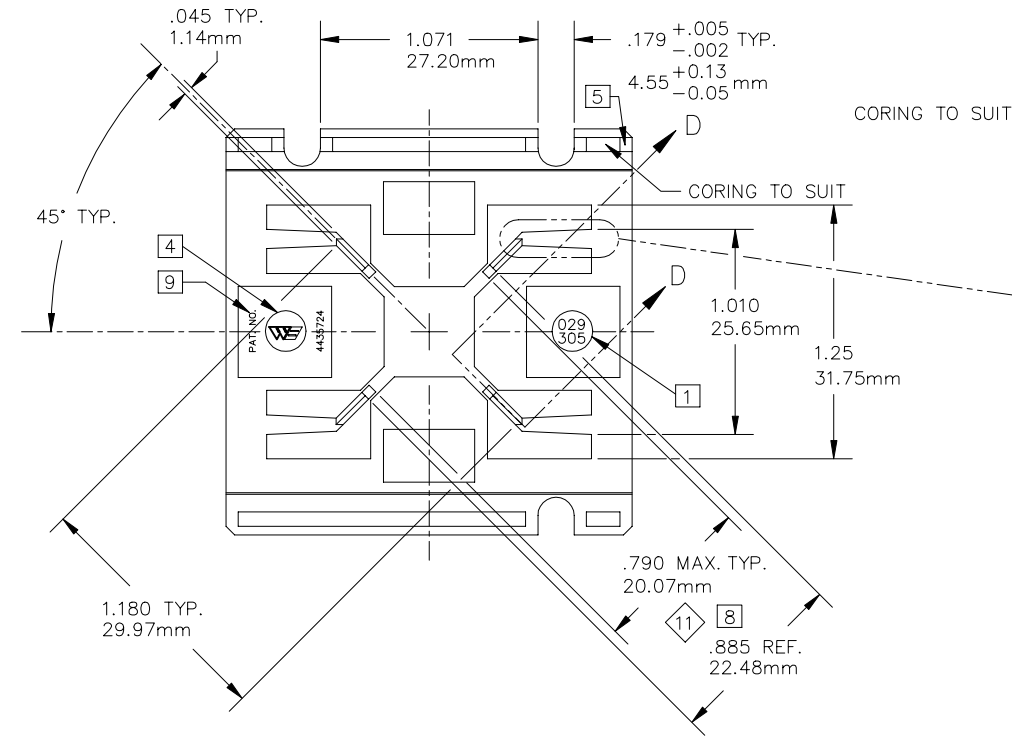
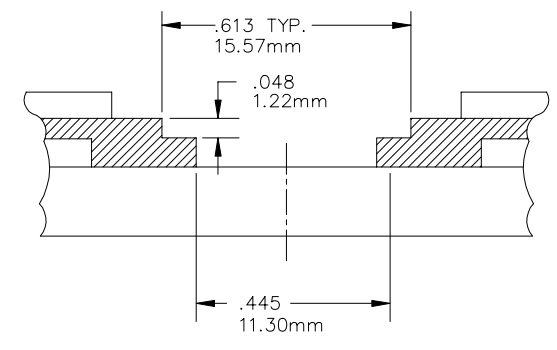
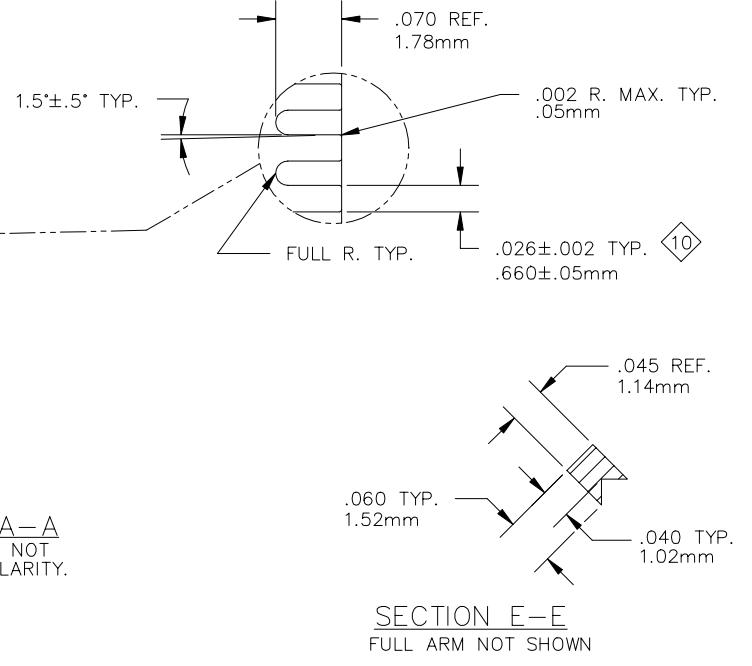
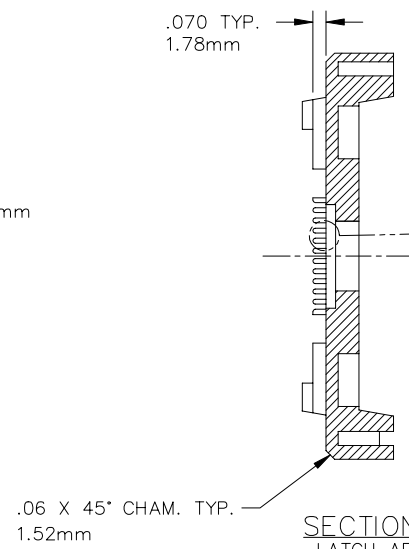
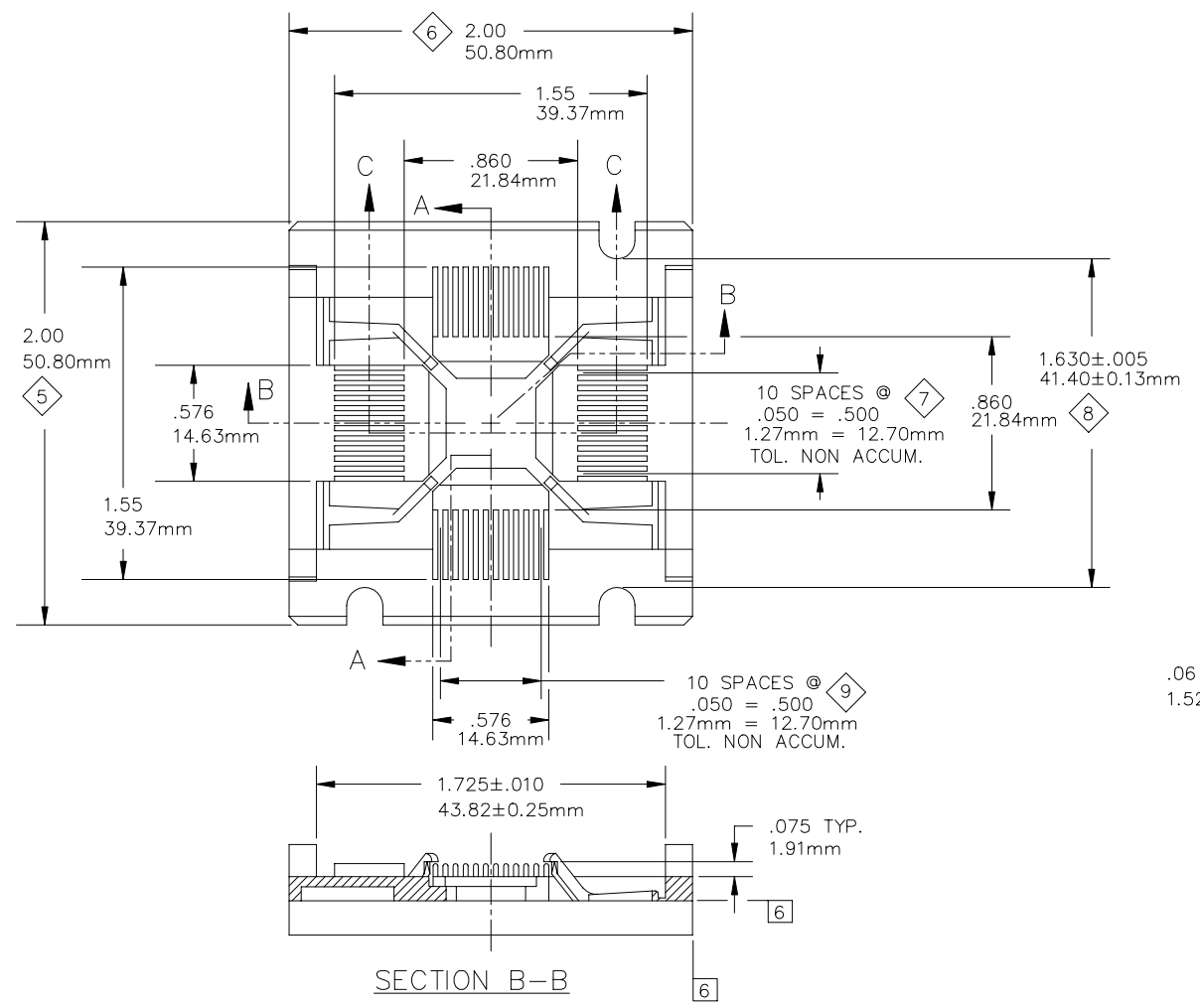
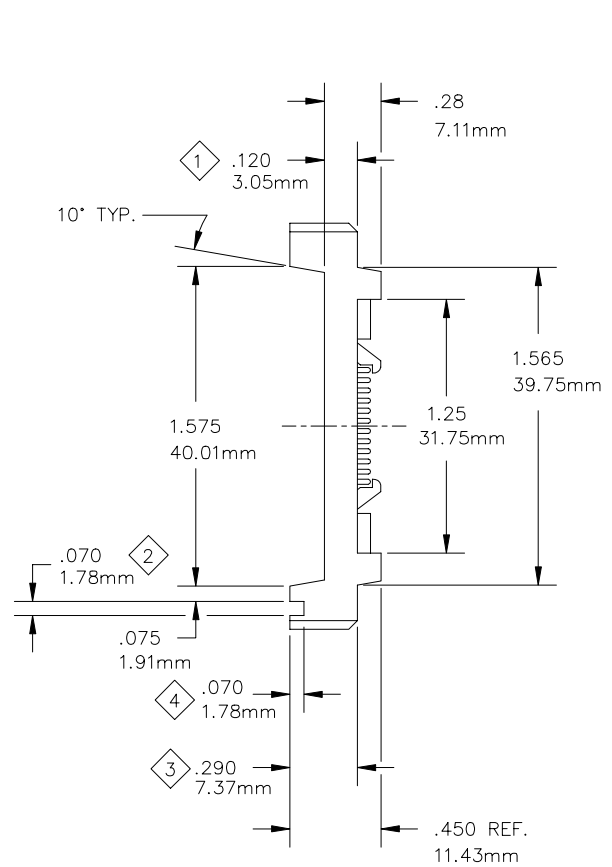


TABLE 1
029-305-0XX

		MATERIAL [3]								
		1	2	3	4	5	6	7	8	9
COLOR		PSO	PBT	PPS	HI TEMP ESD	ESD	HI TEMP			
0	NAT.	0211								
1	PINK						0285			
2	BLUE									
3	GREEN									
4	BLACK					0297	0282			

- [9] PAT. NO. 4435724 ENGRAVED THIS AREA TO FIT 0.002 0.05mm DEEP. LOCATE APPROX. AS SHOWN.
- [8] MAXIMUM DIMENSION APPLIES AFTER 1 DEFLECTION IN FIXTURE.
- [7] "mm" DENOTES METRIC DIM'S IN MILLIMETERS
- [6] .010 0.25mm MAX. FLASH PERMITTED THESE SURFACES(TYP. BOTH ENDS)
- [5] ALL CAVITIES TO BE IDENTIFIED LOCATE NUMBER THIS AREA .002 .05mm HIGH OPTIONAL
- [4] WELLS LOGO(WE) .10 2.54mm HIGH, RAISED .003 .08mm MAX LOCATE APPROX. AS SHOWN SET ON .20 5.08mm DIA. PIN.(OPTIONAL) EITHER END.
- [3] MATERIALS SHOWN WITHOUT PART NUMBERS ARE FOR REF ONLY AND REQUIRE ENGINEERING APPROVAL PRIOR TO USE.
- 2. TRIM MOLD GATE(S) TO .01 2.54mm MAX. BELOW SURFACE GATE PROJECTIONS MUST REMAIN WITHIN PART TOLERANCES.
- [1] PART NUMBER TO BE .05 1.27mm HIGH, RAISED .001/.003 .03/.08mm APPROX. SET ON .20 5.08mm DIA. PIN RECESSED .005 .13mm DEEP MAX. LOCATE APPROX. AS SHOWN EITHER END.

LEGEND	
◇	CRITICAL
11	TOTAL NO. OF ◇ USED
D	PROJECTION

THIS DOCUMENT CONTAINS PROPRIETARY INFORMATION THAT IS THE SOLE PROPERTY OF WELLS-CTI. THIS INFORMATION IS TO BE HELD BY ITS RECIPIENT ON A CONFIDENTIAL BASIS, AND IS NOT TO BE DISCLOSED TO OTHERS OR USED WITHOUT WRITTEN CONSENT OF WELLS-CTI.

DO NOT SCALE

MATERIAL/FINISH	DRAWN	DATE
SEE TABLE 1	KEN M.	11-28-89
	CHECKED	
	ENGINEER	12-5-89
	ENG. SUPRV.	12-5-89
	ENG. SUPRV.	12-5-89
	ENG. SUPRV.	12-5-89

PROJECT/SERIES	DATE
029	12-5-89

WELLS-CTI		South Bend Indiana USA	
A subsidiary of PCD Inc.		PART NAME	
		44 LEAD QUADPACK ONE PIECE CARRIER	
		PART NUMBER	
		029-305-0XX	
		SCALE 2X	
		UNITS: in [mm]	
		SHEET 1 OF 1	

CUSTOMER DRAWING