

REV.	DATE	BY	ECN No.	REV.	DATE	BY	ECN No.	REV.	DATE	BY	ECN No.
M1	2-14-90	KF	90-0084	M2	10-8-93	MR	93-0450				

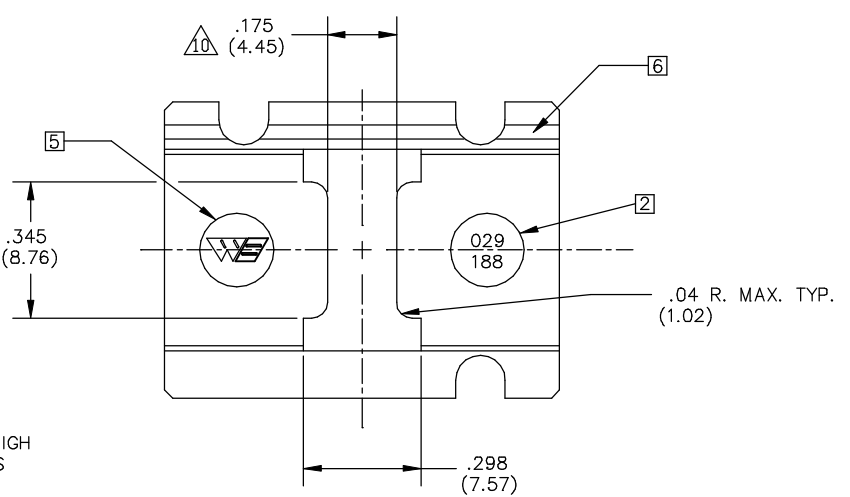
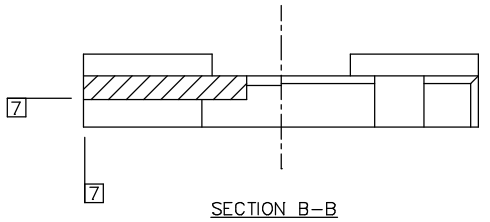
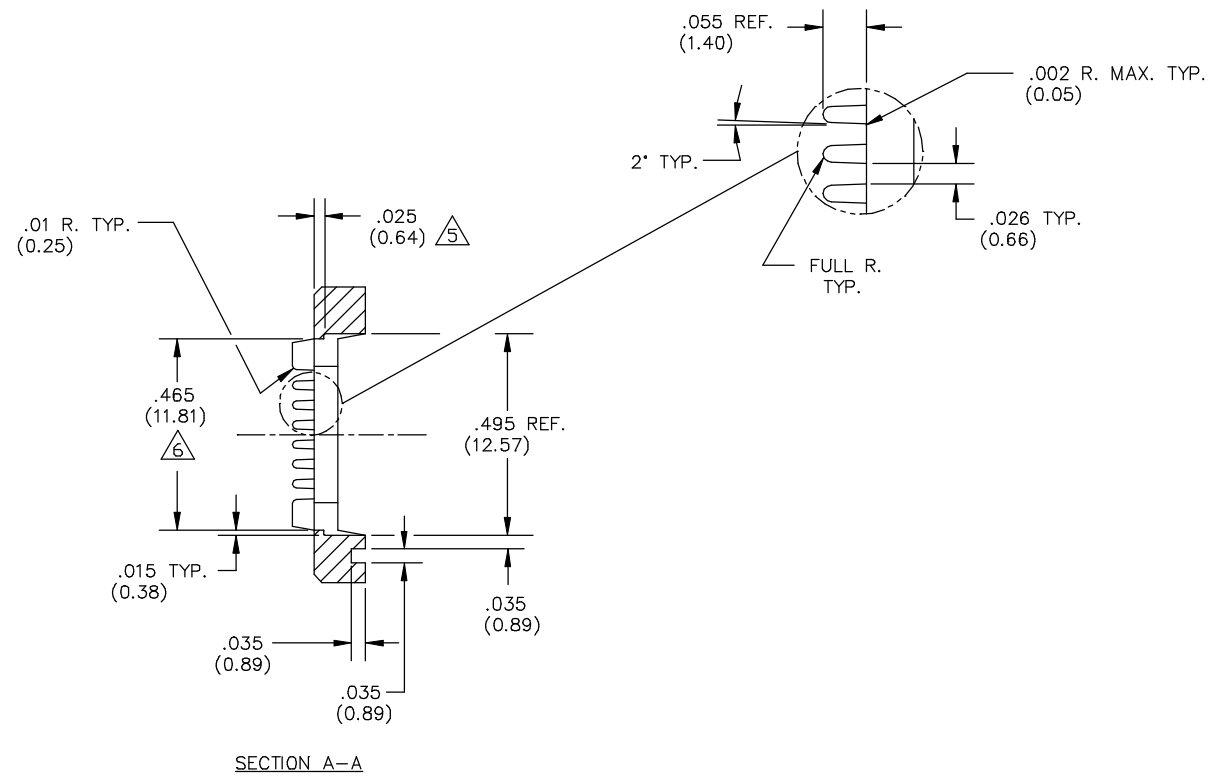
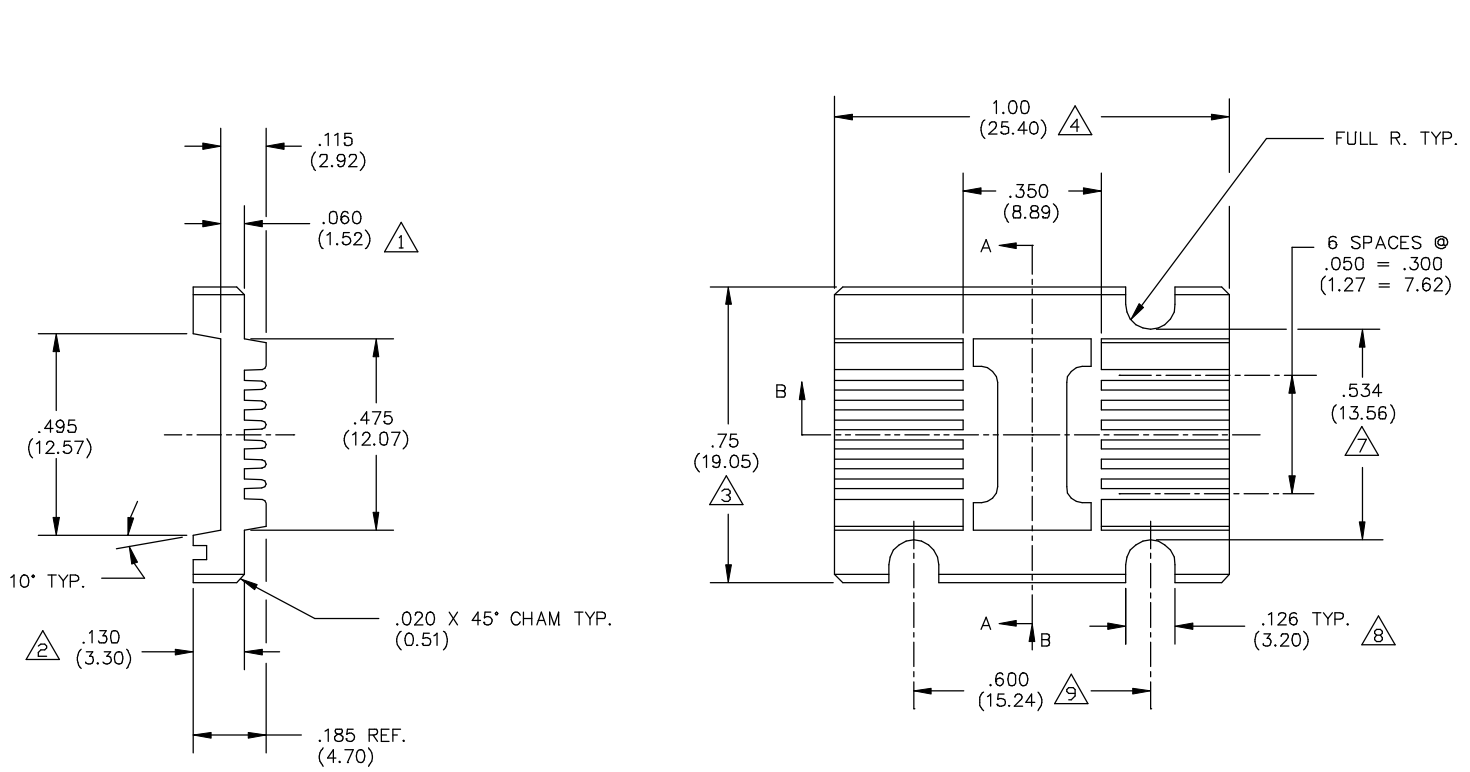


TABLE 1
029-188-0XX

		MATERIAL [4]								
		1	2	3	4	5	6	7	8	9
COLOR		POLYSULFONE	POLYESTER	PPS	HIGH TEMP. ESD	ESD	HIGH TEMP.			
0	NAT.	0211 (BEIGE)	0226 (BEIGE)	0246 (BROWN)						
1	PINK						0285			
2	BLUE									
3	GREEN									
4	BLACK				0297	0282				

- 8 (XX.XX) DENOTES METRIC DIM'S IN MILLIMETERS
- [7] .01 (0.25) MAX. FLASH PERMITTED THESE SURFACES (TYP. BOTH ENDS)
- [6] ALL CAVITIES TO BE IDENTIFIED. LOCATE NUMBERS THIS AREA .002 (0.05) HIGH
- [5] WELLS LOGO .10 (2.54) HIGH, RAISED .003 (0.08) MAX. LOCATE APPROX. AS SHOWN, SET ON .20 (5.08) DIA. PIN (OPTIONAL) EITHER END.
- [4] MATERIALS SHOWN WITHOUT PART NUMBERS ARE FOR REF. ONLY AND REQUIRE ENGINEERING APPROVAL PRIOR TO USE.
- 3 TRIM MOLD GATE(S) TO .01 (0.25) MAX. BELOW SURFACE, GATE PROJECTIONS MUST REMAIN WITHIN PART TOLERANCES.
- [2] PART NUMBER TO BE .05 (1.27) HIGH, RAISED .001/.003 (0.03/0.08) APPROX. SET ON .20 (5.08) DIA. PIN RECESSED .005 (0.13) DP. MAX. LOCATE APPROX. AS SHOWN EITHER END.
- 1 USE RETENTION CLIP 039-267-XXX (FOR REF. ONLY)

CUSTOMER DRAWING

LEGEND	ITEM	PART NUMBER	QTY	DESCRIPTION
◇	CRITICAL	SEE TABLE 1		WELLS ELECTRONICS SOUTH BEND, INDIANA PART NAME 14 LEAD FLATPACK CARRIER PART NO. 029-188-0XX REV. M2
△	MAJOR			
	ALL OTHERS			
	MINOR			
THIS DOCUMENT CONTAINS PROPRIETARY DESIGNS, SPECIFICATIONS, DATA, INFORMATION AND TECHNICAL MATERIAL THAT ARE THE SOLE PROPERTY OF WELLS ELECTRONIC, INC. THIS INFORMATION IS TO BE HELD AND TREATED BY ITS RECIPIENT ON A CONFIDENTIAL BASIS, AND IS NOT TO BE SHOWN OR DISCLOSED TO THIRD PARTIES WITHOUT THE WRITTEN CONSENT OF WELLS ELECTRONICS, INC. THIS DATA DOES NOT CONVEY MANUFACTURING RIGHTS TO ANY ITEM SHOWN.		MATERIAL DO NOT SCALE TOLERANCES .XX ±.01(±0.25) .XXX ±.003(±0.08) .XXXX ±.001(±0.025) ANGLE ±1°	DRAWN FULMER DATE 2-13-90 CHECKED KEN M DATE 2-19-90 PROL. ENCL. RALSTIN DATE 2-19-90 CHIEF ENCL. TL DATE 2-21-90 MFG. ENCL. DS DATE 2-21-90 QUALITY WH DATE 2-23-90	SCALE 4X SHEET SUB-DIR ON SERVER CARRIER\

PART NO.
029-188-0XX