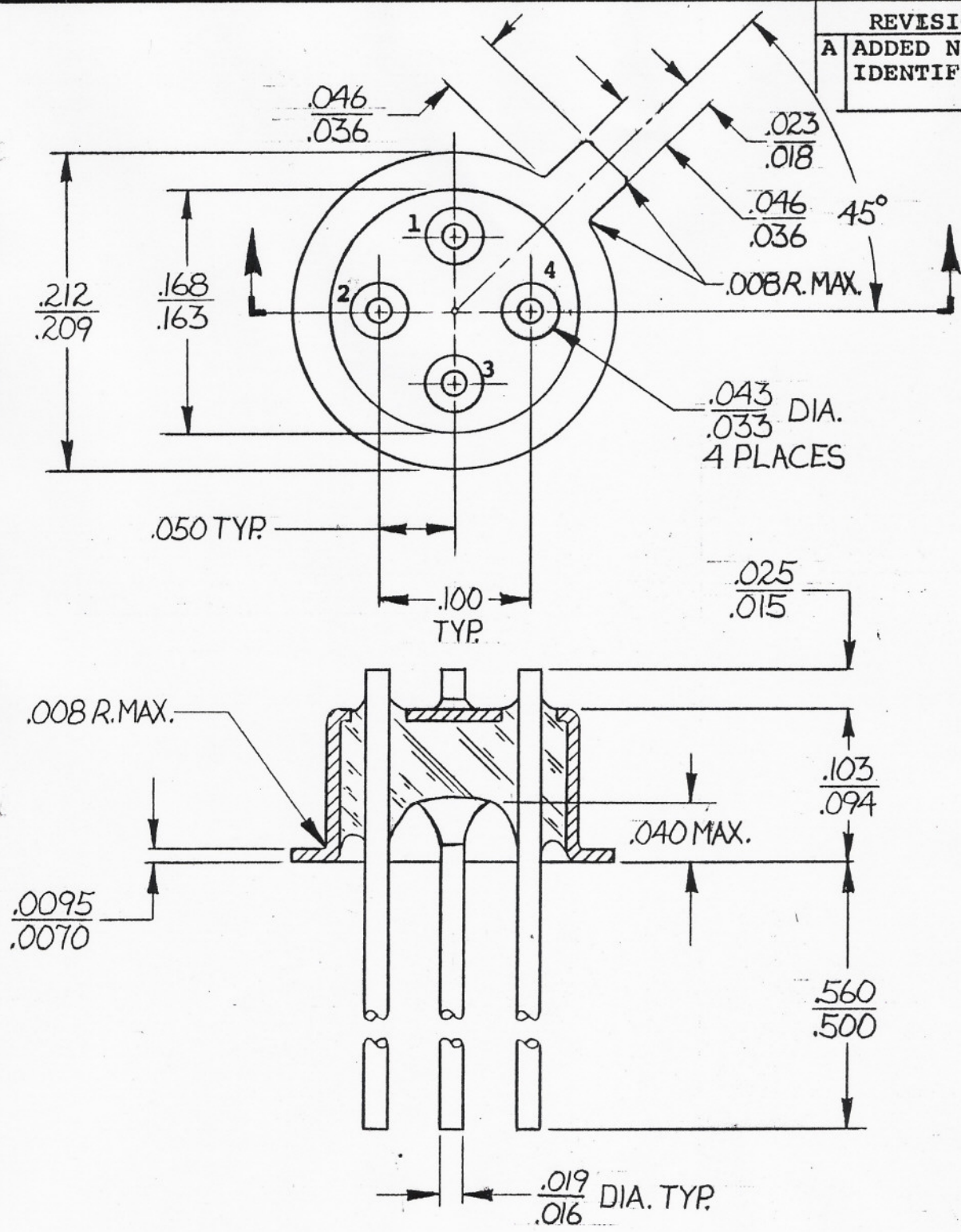


REVISIONS	DATE
A	8-8-86



DIMENSIONS
INCHES
MILLIMETERS
TOLERANCES: (except as noted)
DECIMALS —
2 PLACE $\pm .015$
3 PLACE $\pm .005$
ANGLES $\pm 1/2^\circ$

MATERIAL:
BODY-KOVAR
GLASS-7052 OR EQUIV.
LEADS-KOVAR
FINISH:

<b>ELECTRONIC PRODUCTS, INC.</b>
NEWBURYPORT, MA 01950
TITLE
TO-18 ASSY.
DATE
2/4/83
PART NO.
01018 -003 A